

HD 70 ARTICULATED TANDEM ROLLER



Machine including optional equipment



- All-wheel drive
- Turbo-Diesel engine with high performance
- Crab steering ± 100 mm
- Excellent visibility on surface and sides of drums
- Front and rear visibility 1 x 1 m
- Ergonomic driver stand
- Swivelling driver seat including steering wheel and instrument panel
- Turning driver seat
- Multi-functional levers on both sides of seat
- Emergency stop button
- 3 braking systems
- 2 plastic water tanks
- Sprinkling with 2 water pumps
- All nozzles visible from driver seat
- Removable spray bars

2210
(87.0*)

TECHNICAL DATA

HD 70

Weight

Basic weight without cab	6.250 kg
Operating weight with cab	7.200 kg
Axle load front	3.600 kg
Axle load rear	3.600 kg
Static linear load front	24,0 kg/cm
Static linear load rear	24,0 kg/cm

Dimensions

Working width/crab steering	1.500/1.600 mm
Drum diameter	1.140 mm
Turning radius outside/inside	5.675/4.175 mm

Engine

Deutz-Turbo diesel	
Oil-cooled, 4-cylinder	Type BF4M 1011F
Performance to ISO 3046/1, ISO 9249	56,2 kW/76,5 PS at 2.500 rpm
Performance to SAE J1349	61 kW/82 HP at 2.800 rpm
Fuel tank	130 ltr.

Drive

Hydrostatic drive	all-wheel
-------------------	-----------

Speed

Working speed	0-6,3 km/h
Travel speed	0-12,6 km/h

Gradeability

With/without vibration	30/40 %
------------------------	---------

Vibration system

Hydrostatic drive, double drum vibration	
Vibration	front/rear
Frequency	48/58 Hz
Nominal amplitude	0,62/0,32 mm
Total compaction force	224/186 kN

Steering

Hydrostatic powersteering	
Articulated frame ± 36°, oscillating angle ± 10°	

Brakes

Service brake: hydrostatic	
Parking brake: spring-loaded	
Emergency stop: by hydrostatic drive and spring-loaded brake	

Water sprinkler

Pressurized sprinkler, 2 pumps, interval switch for automatic and manual spraying, filter, 2 plastic tanks 720 lt.r in total.

Electrical system

Voltage 12 V, battery 135 Ah

Equipment

Spring loaded driving stand, 1 swivelling and turning driver seat, 2 multi-functional levers, left and right at seat. Indicators for: engine temperature, working hours, fuel tank, control lights and emergency stop button. Lights according to German road regulations, 2 working lights rear, main battery switch, triple oil filter. Indicators for: hydraulic temperature, water level in tanks. CE prepared.

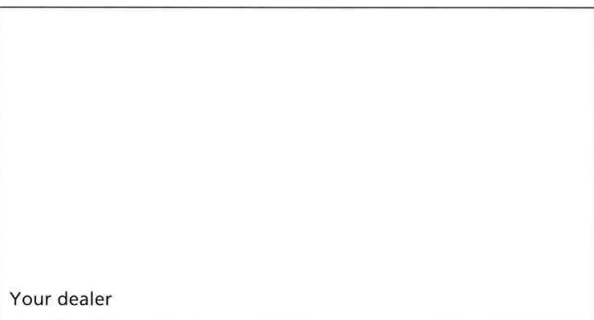
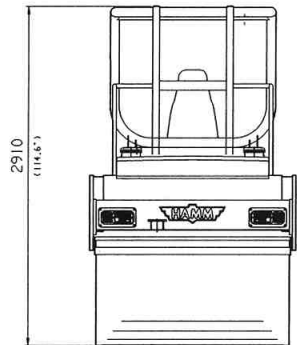
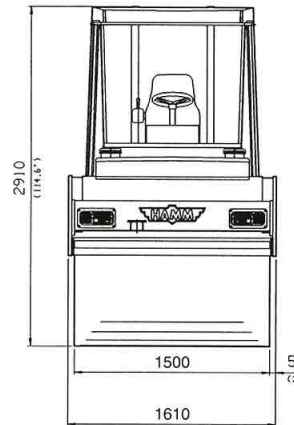
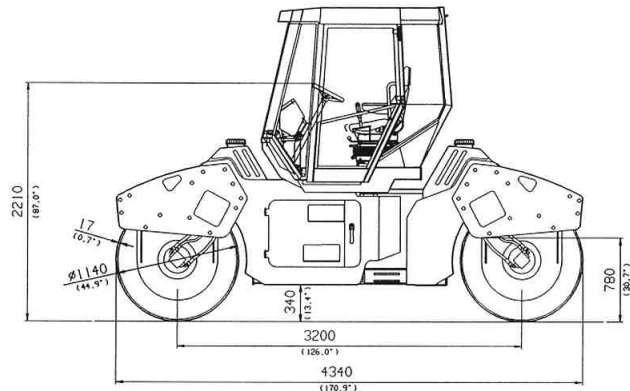
Optional

Panoramic ROPS cab with: heating, dust-free ventilation, interior lighting, front and rear wipers, interior mirror. Beacon, ROPS/FOPS, sun top, safety belt, speedometer, sound isolation, pressing and cutting equipment, radio, special paint, sponge roll, bitu-temperature gauge, back-up alarm, adjustable vibration: front/rear/double.

Description

Articulated tandem roller

HD 70



HD 70 11.02 E4 00 91 B5 12

Technical data according to CECE
All specifications are subject to change without notice or obligation