

HD 75 ARTICULATED TANDEM ROLLER



Machine including optional equipment



- All-wheel drive
- Turbo-Diesel engine with high performance
- Crab steering ± 100 mm
- Excellent visibility on surface and sides of drums
- Front and rear visibility 1 x 1 m
- Ergonomic driver stand
- Turning driver seat
- Multi-functional levers on both sides of seat
- Swivelling driver seat including steering wheel and instrument panel
- Emergency stop button
- 3 braking systems
- 2 plastic water tanks
- 3 braking systems
- Sprinkling with 2 water pumps
- All nozzles visible from driver seat
- Removable spray bars

TECHNICAL DATA HD 75 HD 75.4

Weights

Basic weight without cab	kg	6.650	7.150
Operating weight with cab	kg	7.600	8.100
Axle load front	kg	3.800	4.050
Axle load rear	kg	3.800	4.050
Static linear load front	kg/cm	22,6	24,1
Static linear load rear	kg/cm	22,6	24,1

Dimensions

Working width/crab steering	1.680/1.780 mm
Drum diameter	1.140 mm
Turning radius outside/inside	5.765/4.085 mm

Engine

Deutz-Turbo diesel	Type BF4M 1011F
Oil-cooled, 4-cylinder	
Performance to ISO 3046/1, ISO 9249	56,2 kW/76,5 PS at 2.500 rpm
Performance to SAE J1349	61 kW/82 HP at 2.800 rpm
Fuel tank	130 ltr.

Drive

Hydrostatic drive	all-wheel
-------------------	-----------

Speed

Working speed	km/h	0-6,3	0-9
Travel speed	km/h	0-12,6	-

Gradeability

With/without vibration	30/40 %	20/25 %
------------------------	---------	---------

Vibration system

Hydrostatic drive, double drum vibration			
Vibration		front/rear	front/rear
Frequency	Hz	48/58	42/50
Nominal amplitude	mm	0,57/0,30	0,57/0,39
Total compaction force	kN	228/190	213/209

Steering

Hydrostatic powersteering
Articulated frame ± 36°, oscillating angle ± 10°

Brakes

Service brake: hydrostatic
Parking brake: spring-loaded
Emergency stop: by hydrostatic drive and spring-loaded brake

Water sprinkler

Pressurized sprinkler, 2 pumps, interval switch for automatic and manual spraying, filter, 2 plastic tanks 720 ltr. in total.

Electrical system

Voltage 12 V, battery 135 Ah

Equipment

Spring loaded driving stand, 1 swivelling and turning driver seat, 2 multi-functional levers, left and right at seat. Indicators for: engine temperature, working hours, fuel tank, control lights and emergency stop button. Lights according to German road regulations, 2 working lights rear, main battery switch, triple oil filter. Indicators for: hydraulic temperature, water level in tanks. CE prepared.

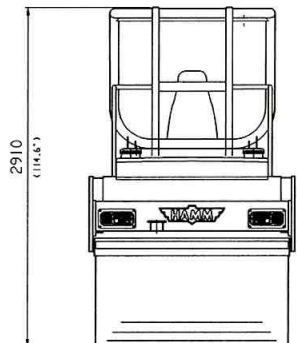
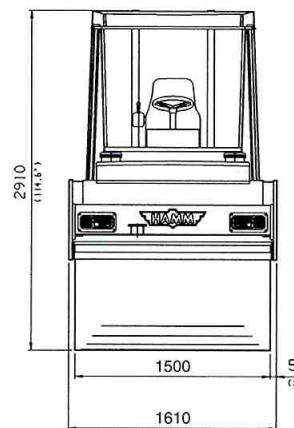
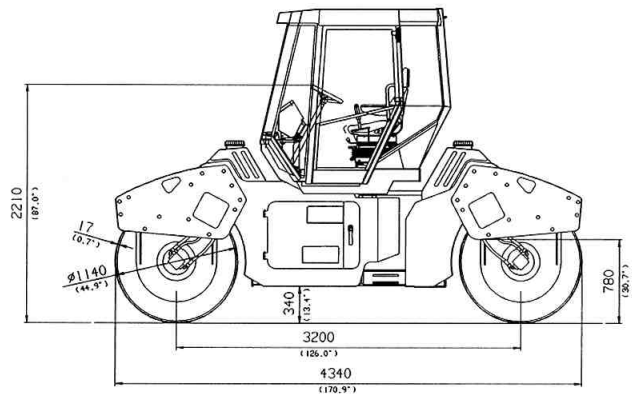
Optional

Panoramic ROPS cab with: heating, dust-free ventilation, interior lighting, front and rear wipers, interior mirror. Beacon, ROPS/FOPS, sun top, safety belt, speedometer, sound isolation, pressing and cutting equipment, radio, special paint, sponge roll, bitu-temperature gauge, back-up alarm, adjustable vibration: front/rear/double.

Description

Articulated tandem roller
Articulated tandem roller with split drum

**HD 75
HD 75.4**



HD 75 11.02 E4 00 91 92 25

Technical data according to CECE
All specifications are subject to change without notice or obligation